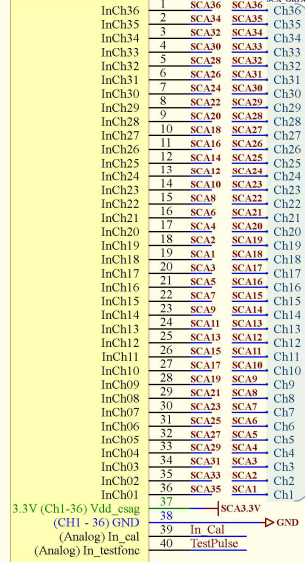
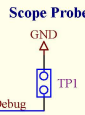
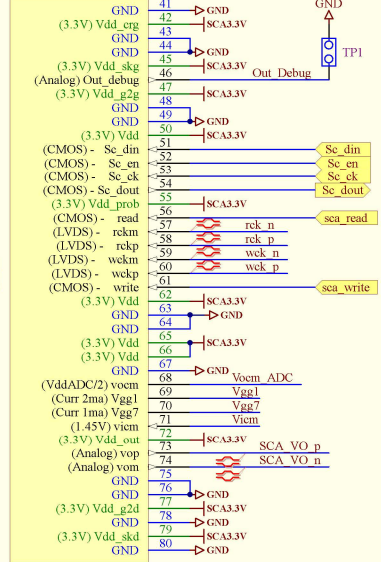


AFTERA
AFTER ASIC

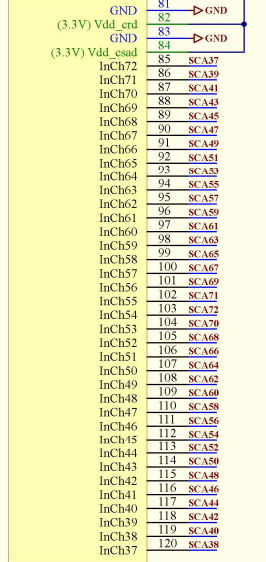


3.3V (Ch1-36) Vdd_csg
(CH1 - 36) GND
(Analog) In_cal
(Analog) In_testPulse

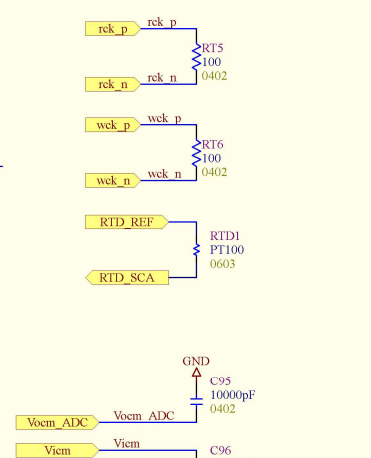
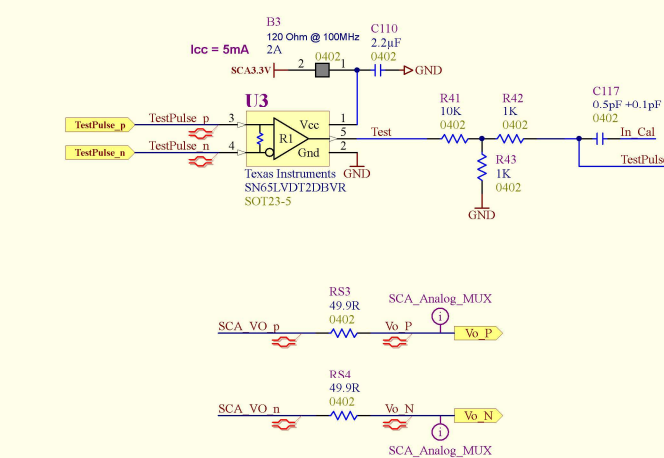
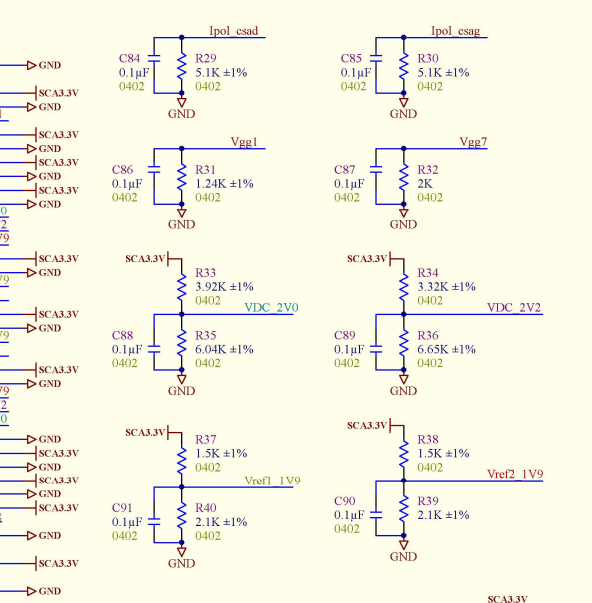
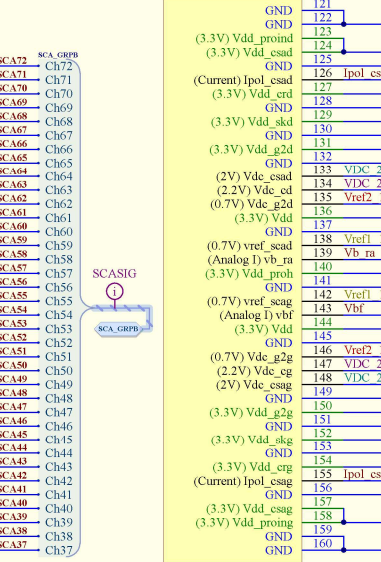
AFTERB
AFTER ASIC



AFTERC
AFTER ASIC



AFTERD
AFTER ASIC



Pin 37	Vdd_csg	9.83	CSA
Pin 157	Vdd_csg	9.83	
Pin 84	Vdd_csg	9.83	
Pin 124	Vdd_csg	9.83	
Pin 42	Vdd_crg	3.9	CR Filter
Pin 154	Vdd_crg	3.9	
Pin 82	Vdd_crd	3.9	
Pin 127	Vdd_crd	3.9	
Pin 45	Vdd_skg	1.9	SK Filter
Pin 152	Vdd_skg	1.9	
Pin 79	Vdd_skd	1.9	
Pin 129	Vdd_skd	1.9	
Pin 47	Vdd_g2g	6.881	Gain-2
Pin 150	Vdd_g2g	6.881	
Pin 77	Vdd_g2d	6.881	
Pin 131	Vdd_g2d	6.881	
Pin 50	Vdd	3.676	
Pin 144	Vdd	3.676	
Pin 66	Vdd	6.62	
Pin 136	Vdd	6.62	
Pin 62	Vdd	0.343	
Pin 75	Vdd	0	
Pin 62	Vdd_out	16.03	
Pin 126	Ipol_csgd	0.2	
Pin 155	Ipol_csg	0.2	
Pin 69	Vgg1	2	
Pin 70	Vgg7	1	

130.41 260.818

ALPHA-g: CycloneV GX - AFTER ASIC

Revision	Drawing #: 13	TRUMF 4004 Westbrook Mall Vancouver, B.C. Canada V6T 2A3
1	Sheet # 13 of 17	Size: B Date: 05-Jun-18